

DESCRIPTION

AMC MODEL SWM-6000-1DTU OPTION: A01, A12 IS A DC TO 6 GHz, ABSORPTIVE/NON-REFLECTIVE, SINGLE POLE SINGLE THROW SWITCH MODULE HAVING A CONTROL IMPEDANCE OF 50 OHMS AND HAS A SMA FEMALE CONTROL CONNECTOR

SPECIFICATIONS

- FREQUENCY RANGE DC-6.0 GHz
- INSERTION LOSS 3.5 dB MAXIMUM
- ISOLATION 50 dB MINIMUM
- VSWR (ON/OFF) 1.5:1 MAXIMUM
- SWITCHING TIME
 - RISE (10% RF TO 90% RF) 5 nS MAXIMUM
 - FALL (90% RF TO 10% RF) 5 nS MAXIMUM
 - ON (50% TTL TO 90% RF) 15 nS MAXIMUM
 - OFF (50% TTL TO 10% RF) 15 nS MAXIMUM
- RF POWER RATINGS
 - DC-2.0 GHz +22 dBm MAXIMUM
 - 2.0-6.0 GHz +26 dBm MAXIMUM
- CONTROL TTL COMPATIBLE, UNITY LOAD, LOGIC "0" ISOLATION LOGIC "1" INSERTION LOSS.
- VOLTAGE TRANSIENTS 50 mV P-P, 100 MHz BANDWIDTH
- POWER SUPPLY +5VDC $\pm 5\%$ @ 40 mA MAXIMUM
-5VDC $\pm 5\%$ @ 40 mA MAXIMUM
- CONNECTORS
 - RF INPUT/OUTPUT FIELD REPLACEABLE SMA (FEMALE)
 - POWER SOLDER PIN
 - CONTROL SMA (FEMALE)
- SIZE 1.40" x 0.80" x 0.40"

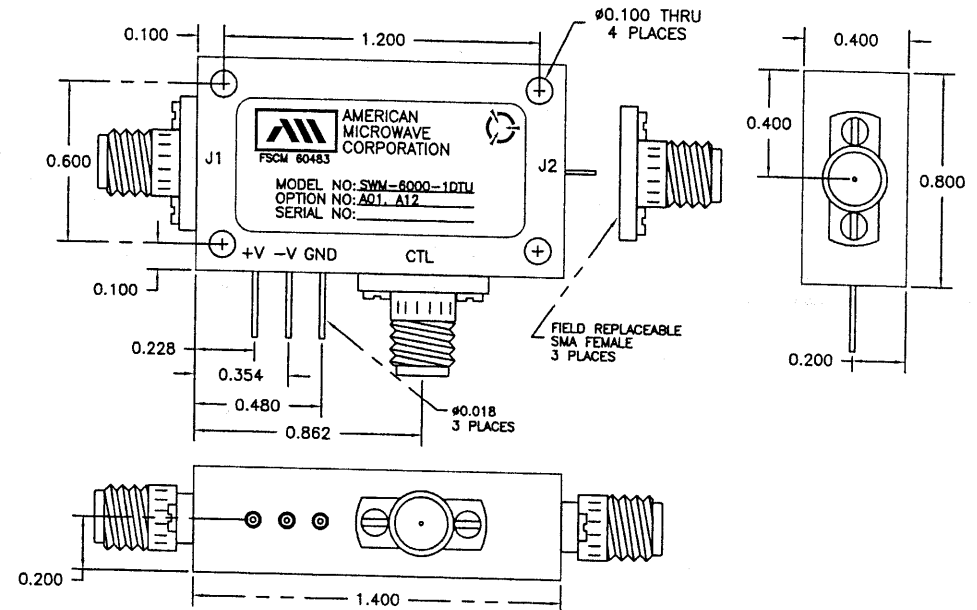
ENVIRONMENTAL RATINGS

- TEMPERATURE: -55°C TO +85°C (OPERATING)
-65°C TO +125°C (STORAGE)
- HUMIDITY: MIL-STD-202F, METHOD 103B COND. B
- SHOCK: MIL-STD-202F, METHOD 213B COND. B
- VIBRATION: MIL-STD-202F, METHOD 204D COND. B
- ALTITUDE: MIL-STD-202F, METHOD 105C COND. B
- TEMPERATURE CYCLE: MIL-STD-202F, METHOD 107D COND. A

NOTE: SPECIFICATIONS WILL VARY OVER OPERATING TEMPERATURE
NOTE: THE ABOVE SPECIFICATIONS ARE SUBJECT TO CHANGE OR REVISION

ALL DIMENSIONS ARE IN INCHES
TOLERANCES:
X.XX ± 0.020
X.XXX ± 0.010
WEIGHT: APPROXIMATELY 2.5 oz.

REVISIONS				
ZONE	REV.	DESCRIPTION	DATE	APPROVED
	-	ORIGINAL RELEASE JOB# 407157N	9/7/04	AA



AMERICAN MICROWAVE CORPORATION

7311-G GROVE ROAD
FREDERICK, MARYLAND 21704 USA
TEL: 301-662-4700 FAX: 301-662-4938
WEBSITE: www.americamicrowavecorp.com
E-MAIL: sales@americamicrowavecorp.com
ISO 9001:2000 CERTIFIED



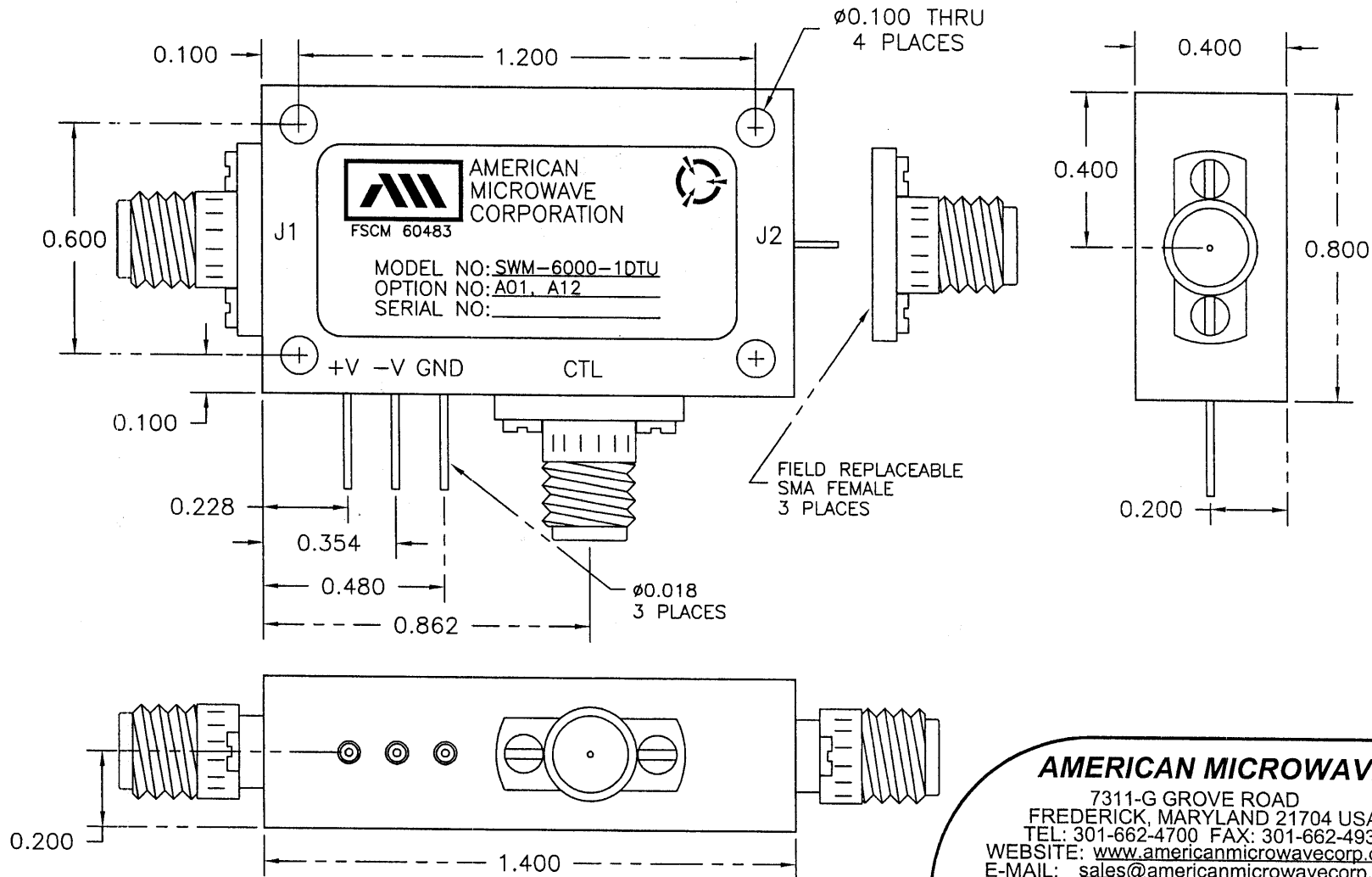
APPROVALS		DATE	TITLE			
DRAWN <i>JDJ</i>		9/7/04	PRODUCT FEATURE SWM-6000-1DTU OPTION: A01, A12 DC TO 6 GHz, SINGLE POLE SINGLE THROW SWITCH			
CHECKED <i>CA</i>		9/11/04	SIZE	FSCM NO.	DWG NO.	REV.
ISSUED			A	60483	100-7107	-
			SCALE N:S	SHEET 1 OF 3		

DESCRIPTION

AMC MODEL SWM-6000-1DTU OPTION: A01, A12 IS A DC TO 6 GHz, ABSORPTIVE/NON-REFLECTIVE, SINGLE POLE SINGLE THROW SWITCH MODULE HAVING A CONTROL IMPEDANCE OF 50 OHMS AND HAS A SMA FEMALE CONTROL CONNECTOR

REVISIONS				
ZONE	REV.	DESCRIPTION	DATE	APPROVED
-		ORIGINAL RELEASE JOB# 407157N	9/7/04	RA

MECHANICAL OUTLINE



ALL DIMENSIONS ARE IN INCHES
 TOLERANCES:
 X.XX ±0.020
 X.XXX ±0.010
 WEIGHT: APPROXIMATELY 2.5 oz.

AMERICAN MICROWAVE CORPORATION

7311-G GROVE ROAD
 FREDERICK, MARYLAND 21704 USA
 TEL: 301-662-4700 FAX: 301-662-4938
 WEBSITE: www.americanmicrowavecorp.com
 E-MAIL: sales@americanmicrowavecorp.com
 ISO 9001:2000 CERTIFIED



APPROVALS		DATE	TITLE		
DRAWN	FDJ	9/7/04	MECHANICAL OUTLINE SWM-6000-1DTU OPTION: A01, A12 DC TO 6 GHz, SINGLE POLE SINGLE THROW SWITCH		
CHECKED	RA	9/7/04	SIZE	FSCM NO.	DWG NO.
ISSUED			A	60483	100-7107
			SCALE	N:S	SHEET 2 OF 3